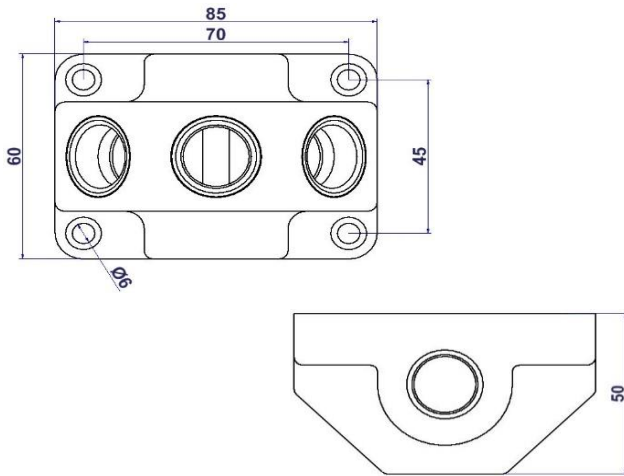


Technical data sheet

Black plastic distributing box



Technology

- This distributing box can be installed as an end distributor on the wall and ceiling. It can also be used on portable pneumatic systems or assembly units.
- It is equipped for 2 or 3 connections for quick release couplings or any other screw connections.
- For clean room applications, the user has the option of attaching the compressed air connection with G1/2 on the back of the junction box.

Torque connection

- on the brass thread 15 Nm
- on the plastic thread 4 Nm

Available standard options

- Distribution box in fiberglass reinforced plastic
- Junction boxes color black
- Other colors available on request
- Threaded inserts in brass
- Compressed air inlet with plastic thread

Pressure range

- Pmax. static 15 bar

Operating temperature

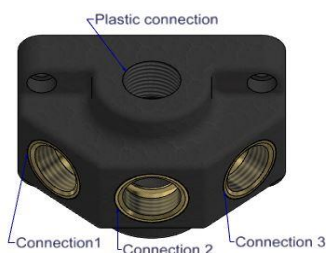
- -20°C to +50°C

Junction box with two connections	Item no.	Plastic connection	Brass connector 1	Brass connector 2
-----------------------------------	----------	--------------------	-------------------	-------------------



NURV6	G1/2	G1/2	G1/2
-------	------	------	------

Junction box with three connections	Item no.	Plastic connection	Brass connector 1	Brass connector 2	Brass connector 3
-------------------------------------	----------	--------------------	-------------------	-------------------	-------------------



NURV9	G1/2	G1/2	G1/2	G1/2
-------	------	------	------	------